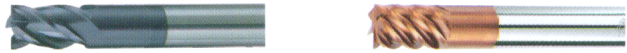


## Carbide End Milling



Material <b>F350</b> Cutting Hardness Under <b>HRC50°</b>					Material <b>F450</b> Cutting Hardness Under <b>HRC55°</b>					Material <b>F550</b> Cutting Hardness Under <b>HRC65°</b>				
Dimension				Price (RMB)	Dimension				Price (RMB)	Dimension				Price (RMB)
Cutting Edge Diameter	Cutting Edge Length	Shank Diameter	Overall Length		Cutting Edge Diameter	Cutting Edge Length	Shank Diameter	Overall Length		Cutting Edge Diameter	Cutting Edge Length	Shank Diameter	Overall Length	
Φ1.0	2.0	3	50	30	Φ1.0	2.0	4	50	42	Φ1.0	2.0	4	50	84
Φ1.0	2.0	4	50	30	Φ1.5	3.5	4	50	42	Φ1.5	3.5	4	50	84
Φ1.5	3.5	3	50	30	Φ2.0	6.0	4	50	42	Φ2.0	6.0	4	50	84
Φ1.5	3.5	4	50	30	Φ2.5	6.0	4	50	42	Φ2.5	6.0	4	50	84
Φ2.0	6.0	3	50	30	Φ3.0	8.0	4	50	42	Φ3.0	8.0	4	50	84
Φ2.0	6.0	4	50	30	Φ3.5	10.0	4	50	42	Φ3.5	10.0	4	50	84
Φ2.5	6.0	3	50	30	Φ4.0	10.0	4	50	42	Φ4.0	10.0	4	50	84
Φ2.5	6.0	4	50	30	Φ5.0	13.0	6	50	62	Φ5.0	13.0	6	50	120
Φ3.0	8.0	3	50	30	Φ6.0	15.0	6	50	62	Φ6.0	15.0	6	50	120
Φ3.0	8.0	4	50	30	Φ8.0	20.0	8	60	110	Φ8.0	20.0	8	60	234
Φ3.5	10.0	4	50	30	Φ10.0	25.0	10	75	176	Φ10.0	25.0	10	75	338
Φ4.0	10.0	4	50	30	Φ12.0	30.0	12	75	250	Φ12.0	30.0	12	75	480
Φ5.0	13.0	5	50	52	Φ16.0	40.0	16	100	592	Φ16.0	40.0	16	100	1084
Φ5.0	13.0	6	50	52	Φ18.0	40.0	20	100	854	Φ18.0	40.0	20	100	1508
Φ6.0	15.0	6	50	52	Φ20.0	40.0	20	100	854	Φ20.0	40.0	20	100	1508
Φ8.0	20.0	8	60	92										
Φ10.0	25.0	10	75	146										
Φ12.0	30.0	12	75	196										
Φ16.0	40.0	16	100	494										
Φ18.0	40.0	20	100	704										
Φ20.0	40.0	20	100	704										

## Carbide Lengthend End Milling



Material <b>F350</b> Cutting Hardness Under <b>HRC50°</b>					Material <b>F450</b> Cutting Hardness Under <b>HRC55°</b>					Material <b>F550</b> Cutting Hardness Under <b>HRC65°</b>				
Dimension				Price (RMB)	Dimension				Price (RMB)	Dimension				Price (RMB)
Cutting Edge Diameter	Cutting Edge Length	Shank Diameter	Overall Length		Cutting Edge Diameter	Cutting Edge Length	Shank Diameter	Overall Length		Cutting Edge Diameter	Cutting Edge Length	Shank Diameter	Overall Length	
Φ3.0	12.0	6	100	108	Φ3.0	12.0	6	100	116	Φ3.0	16.0	6	100	174
Φ4.0	16.0	6	100	108	Φ4.0	16.0	6	100	116	Φ4.0	20.0	6	100	174
Φ5.0	20.0	6	100	108	Φ5.0	20.0	6	100	116	Φ5.0	25.0	6	100	174
Φ6.0	30.0	6	100	108	Φ6.0	30.0	6	100	116	Φ6.0	25.0	6	100	174
Φ8.0	35.0	8	100	164	Φ8.0	35.0	8	100	174	Φ8.0	32.0	8	100	320
Φ10.0	40.0	10	100	224	Φ10.0	40.0	10	100	250	Φ10.0	40.0	10	100	458
Φ12.0	45.0	12	100	295	Φ12.0	45.0	12	100	330	Φ12.0	45.0	12	100	596
Φ16.0	75.0	16	150		Φ16.0	75.0	16	150	1016	Φ16.0	75.0	16	150	1776
Φ20.0	80.0	16	200		Φ16.0	80.0	16	200	1360	Φ16.0	80.0	16	200	1896
Φ20.0	80.0	20	150		Φ20.0	80.0	20	150	1430	Φ20.0	80.0	20	150	2370
Φ20.0	100.0	20	200		Φ20.0	100.0	20	200	1990	Φ20.0	100.0	20	200	2842

## Carbide Ball-End Cutter



Material <b>F350</b> Cutting Hardness Under <b>HRC50°</b>					Material <b>F450</b> Cutting Hardness Under <b>HRC55°</b>					Material <b>F550</b> Cutting Hardness Under <b>HRC65°</b>				
Dimension				Price (RMB)	Dimension				Price (RMB)	Dimension				Price (RMB)
Cutting Edge Diameter	Cutting Edge Length	Shank Diameter	Overall Length		Cutting Edge Diameter	Cutting Edge Length	Shank Diameter	Overall Length		Cutting Edge Diameter	Cutting Edge Length	Shank Diameter	Overall Length	
R0.5	2.0	4	50	34	R0.5	2.0	4	50	48	R0.5	2.0	4	50	94
R0.75	3.5	4	50	34	R0.75	3.5	4	50	48	R0.75	3.5	4	50	94
R1	4.0	3	50	34	R1	4.0	4	50	48	R1	4.0	4	50	94
R1	4.0	4	50	34	R1.5	6.0	4	50	48	R1.5	6.0	4	50	94
R1.5	6.0	3	50	34	R2	8.0	4	50	48	R2	8.0	4	50	94
R1.5	6.0	4	50	34	R2.5	10.0	6	50	70	R2.5	10.0	6	50	128
R2	8.0	4	50	34	R3	12.0	6	50	70	R3	12.0	6	50	128
R2.5	10.0	5	50	56	R4	16.0	8	50	124	R4	16.0	8	50	246
R2.5	10.0	6	50	56	R5	20.0	10	75	190	R5	20.0	10	75	352
R3	12.0	6	50	56	R6	25.0	12	75	266	R6	25.0	12	75	510
R4	16.0	8	50	100	R8	32.0	16	100	660	R8	32.0	16	100	1170
R5	20.0	10	75	156	R10	40.0	20	100	936	R10	40.0	20	100	1592
R6	25.0	12	75	208										
R8	32.0	16	100	510										
R10	40.0	20	100	736										

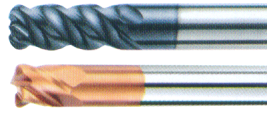
## Carbide Lengthend Ball-End Cutter



Material <b>F350</b> Cutting Hardness Under <b>HRC50°</b>					Material <b>F450</b> Cutting Hardness Under <b>HRC55°</b>					Material <b>F550</b> Cutting Hardness Under <b>HRC65°</b>				
Dimension				Price (RMB)	Dimension				Price (RMB)	Dimension				Price (RMB)
Cutting Edge Diameter	Cutting Edge Length	Shank Diameter	Overall Length		Cutting Edge Diameter	Cutting Edge Length	Shank Diameter	Overall Length		Cutting Edge Diameter	Cutting Edge Length	Shank Diameter	Overall Length	
R1	4.0	6	100	124	R1	4.0	6	100	128	R1	4.0	6	100	194
R1.5	6.0	6	100	124	R1.5	6.0	6	100	128	R1.5	6.0	6	100	194
R2	8.0	6	100	124	R2	8.0	6	100	128	R2	8.0	6	100	194
R2.5	10.0	6	100	124	R2.5	10.0	6	100	128	R2.5	10.0	6	100	194
R3	12.0	6	100	124	R3	12.0	6	100	128	R3	12.0	6	100	194
R4	16.0	8	100	124	R4	16.0	8	100	180	R4	16.0	8	100	322
R5	20.0	10	100	178	R5	20.0	10	100	270	R5	20.0	10	100	476
R6	25.0	12	100	240	R6	25.0	12	100	358	R6	25.0	12	100	610
R8	32.0	16	150	304	R8	32.0	16	150	1126	R8	32.0	16	150	1786
R8	32.0	16	200	304	R8	32.0	16	200	1370	R8	32.0	16	200	1916
R10	40.0	20	150		R10	40.0	20	150	1560	R10	40.0	20	150	2410

# Carbide End Milling

## Carbide Corner Rounding Cutter



**Material FA350** Cutting Hardness Under HRC50°

Dimension					Price (RMB)
Cutting Edge Diameter	Angle R	Cutting Edge Length	Shank Diameter	Overall Length	
Φ2	R0.5	5.0	4	50	64
Φ3	R0.2	6.0	4	50	64
Φ3	R0.5	6.0	4	50	64
Φ4	R0.2	8.0	4	50	64
Φ4	R0.3	8.0	4	50	64
Φ4	R0.5	8.0	4	50	64
Φ4	R1.0	8.0	4	50	64
Φ4	R0.5	25.0	4	75	90
Φ4	R1.0	25.0	4	75	90
Φ5	R0.5	10.0	6	50	84
Φ5	R1.0	10.0	6	50	84
Φ5	R1.5	10.0	6	50	84
Φ6	R0.5	12.0	6	50	84
Φ6	R1.0	12.0	6	50	84
Φ6	R1.5	12.0	6	50	84
Φ6	R0.5	25.0	6	75	156
Φ6	R1.0	25.0	6	100	156
Φ8	R0.5	16.0	8	60	160
Φ8	R1.0	16.0	8	60	160
Φ8	R1.5	16.0	8	60	160
Φ8	R2.0	16.0	8	60	160
Φ8	R0.5	30.0	8	100	232
Φ8	R1.0	30.0	8	100	232
Φ10	R0.5	20.0	10	75	246
Φ10	R1.0	20.0	10	75	246
Φ10	R1.5	20.0	10	75	246
Φ10	R2.0	20.0	10	75	246
Φ10	R0.5	35.0	10	100	346
Φ10	R1.0	35.0	10	100	346
Φ12	R0.5	25.0	12	75	334
Φ12	R1.0	25.0	12	75	334
Φ12	R1.5	25.0	12	75	334
Φ12	R2.0	25.0	12	75	334
Φ12	R0.5	40.0	12	100	466
Φ12	R1.0	40.0	12	100	466
Φ16	R1.0	45.0	16	150	1060
Φ16	R2.0	45.0	16	150	1060



**NEW**  
Strong Recommend

## Carbide Stainless Steel End Milling

**Material FA600M**

Dimension				Price (RMB)
Cutting Edge Diameter	Cutting Edge Length	Shank Diameter	Overall Length	
Φ3.0	8.0	4	50	120
Φ4.0	10.0	4	50	120
Φ5.0	15.0	4	50	140
Φ6.0	20.0	6	50	140
Φ8.0	25.0	8	60	250
Φ10.0	30.0	10	75	390
Φ12.0	35.0	12	75	512



## Two Edge Carbide Special Milling Cutter For Aluminum Processing

Dimension					Price (RMB)
Cutting Edge Diameter	Cutting Edge Length	Shank Diameter	Overall Length		
Φ1.0	3.0	4	50	48	
Φ1.5	4.0	4	50	48	
Φ2.0	5.0	4	50	48	
Φ2.5	7.0	4	50	48	
Φ3.0	8.0	4	50	48	
Φ3.0	12.0	6	60	140	
Φ4.0	10.0	4	50	76	
Φ4.0	16.0	6	60	140	
Φ5.0	15.0	6	50	76	
Φ5.0	20.0	6	60	160	
Φ6.0	20.0	6	50	76	
Φ6.0	25.0	6	75	160	
Φ8.0	25.0	8	60	132	
Φ8.0	32.0	8	75	250	
Φ10.0	30.0	10	75	220	
Φ10.0	45.0	10	100	290	
Φ12.0	35.0	12	75	316	
Φ12.0	45.0	12	100	400	
Φ16.0	45.0	16	100	732	
Φ16.0	65.0	16	150	950	
Φ20.0	50.0	20	100	1084	
Φ20.0	75.0	20	150	1390	



## Three Edge Carbide Special Milling Cutter For Aluminum Processing

Dimension					Price (RMB)
Cutting Edge Diameter	Cutting Edge Length	Shank Diameter	Overall Length		
Φ1.0	3.0	4	50	48	
Φ1.5	4.0	4	50	48	
Φ2.0	5.0	4	50	48	
Φ2.5	7.0	4	50	48	
Φ3.0	8.0	4	50	48	
Φ4.0	10.0	4	50	76	
Φ5.0	15.0	6	50	76	
Φ6.0	20.0	6	50	76	
Φ8.0	25.0	8	60	132	
Φ10.0	30.0	10	75	220	
Φ12.0	35.0	12	75	316	
Φ16.0	45.0	16	100	732	
Φ20.0	50.0	20	100	1084	



## Two Edge Carbide Ball-End Cutter For Aluminum Processing

Dimension					Price (RMB)
Cutting Edge Diameter	Cutting Edge Length	Shank Diameter	Overall Length		
R1.0	14	6	60	58	
R1.5	6	6	60	58	
R2.0	8	6	60	58	
R2.5	10	6	60	86	
R3.0	12	6	60	86	
R4.0	16	8	75	152	
R5.0	20	10	75	260	
R6.0	24	12	75	356	

## Carbide Conical Degree End Milling

**Material FA350** Cutting Hardness Under HRC55°

Conical Degree	Dimension				Price (RMB)
	Cutting Edge Diameter	Cutting Edge Length	Shank Diameter	Overall Length	
1/2°	1	4	4	50	192
	1.5	5	4	50	192
	2	6	4	50	192
	2.5	8	4	50	192
	3	10	6	50	192
	4	15	6	50	205
	5	20	6	50	239
	6	20	6	60	299
	8	25	8	75	446
	10	35	10	100	632
1°	1	4	4	50	192
	1.5	5	4	50	192
	2	6	4	50	192
	2.5	8	4	50	192
	3	10	6	50	192
	4	15	6	50	205
	5	20	6	50	239
	6	20	6	60	299
	8	25	8	75	446
	10	35	10	100	632
1-1/2°	1	4	4	50	192
	1.5	5	4	50	192
	2	6	4	50	192
	2.5	8	4	50	192
	3	10	6	50	192
	4	15	6	50	205
	5	20	6	60	239
	6	20	6	60	299
	8	25	8	75	446
	10	35	10	100	679
2°	1	4	4	50	192
	1.5	5	4	50	192
	2	6	4	50	192
	2.5	8	4	50	192
	3	10	6	50	192
	4	15	6	50	205
	5	20	6	60	287
	6	20	6	60	299
	8	25	8	75	495
	10	35	12	100	781
2-1/2°	1	4	4	50	192
	1.5	5	4	50	192
	2	6	4	50	192
	2.5	8	4	50	192
	3	10	6	50	192
	4	15	6	50	205
	5	20	6	60	287
	6	20	6	60	367
	8	25	10	75	632
	10	35	12	100	829
3°	1	4	4	50	192
	1.5	5	4	50	192
	2	6	4	50	192
	2.5	8	4	50	192
	3	10	6	50	192
	4	15	6	60	205
	5	20	6	60	287
	6	20	8	60	367
	8	25	10	75	632
	10	35	12	100	906
5°	1	4	4	50	255
	1.5	5	4	50	255
	2	6	4	50	225
	2.5	8	6	50	225
	3	10	6	50	306
	4	15	6	75	365
	5	20	8	75	367
	6	20	8	75	460
	8	25	12	100	752
	10	35	16	100	1110







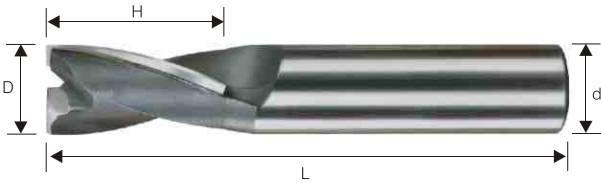


### SWE2 Welding type Carbide Milling cutter -2 Edge ( Standard )



Type	Dimension Size(mm)					Order Number	Price
	External D <sub>0</sub> <sup>-0.03</sup>	Cutting Edge Length H	Handle Length d(h7)	Overall Length L	Edge Number T		
SWE2-12x30H	12	30	12	80	2	361100	205
14x35H	14	35	16	90	2	361102	240
16x40H	16	40	16	95	2	361104	265
18x40H	18	40	20	100	2	361106	315
20x45H	20	45	20	110	2	361108	350
25x50H	25	50	25	120	2	361110	435

### SWEL2 Welding type Carbide Milling cutter -2 Edge ( Lengthend )



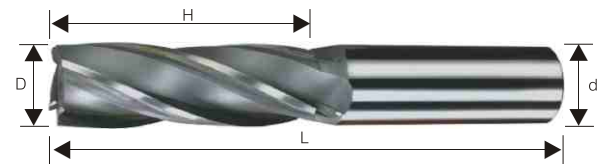
Type	Dimension Size(mm)					Order Number	Price
	External D <sub>0</sub> <sup>-0.03</sup>	Cutting Edge Length H	Handle Length d(h7)	Overall Length L	Edge Number T		
SWEL2-12x40H	12	40	12	90	2	361200	255
14x45H	14	45	12	115	2	361202	290
16x50H	16	50	16	120	2	361204	325
18x60H	18	60	20	120	2	361206	430
20x75H	20	75	20	150	2	361208	520
25x100H	25	100	25	180	2	361210	775

### SWE4 Welding type Carbide Milling cutter -4 Edge ( Standard )



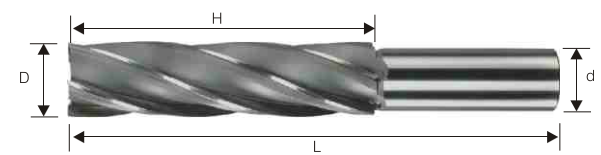
Type	Dimension Size(mm)					Order Number	Price
	External D <sub>0</sub> <sup>-0.03</sup>	Cutting Edge Length H	Handle Length d(h7)	Overall Length L	Edge Number T		
SWE4-12x30H	12	30	12	80	4	361300	240
14x35H	14	35	16	90	4	361302	280
16x40H	16	40	16	95	4	361304	310
18x40H	18	40	20	100	4	361306	370
20x45H	20	45	20	110	4	361308	410
25x50H	25	50	25	120	4	361310	510
30x55H	30	55	25	125	4	361312	670
32x60H	32	60	32	145	4	361314	765
35x65H	35	65	32	150	4	361316	850
40x65H	40	65	32	150	4	361318	885
45x70H	45	70	32	160	4	361320	1150
50x70H	50	70	32	160	4	361322	1220

### SWEL4 Welding type Carbide Milling cutter -4 Edge ( Lengthend )



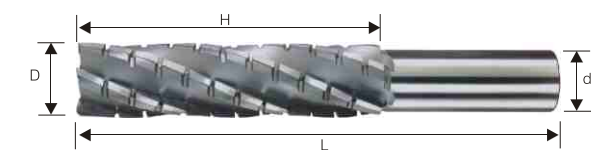
Type	Dimension Size(mm)					Order Number	Price
	External D <sub>0</sub> <sup>-0.03</sup>	Cutting Edge Length H	Handle Length d(h7)	Overall Length L	Edge Number T		
SWEL4-12x40H	12	40	12	90	4	361400	300
14x45H	14	45	16	105	4	361402	340
16x50H	16	50	16	120	4	361404	380
18x60H	18	60	20	120	4	361406	510
20x75H	20	75	20	135	4	361408	615
25x85H	25	85	25	175	4	361410	805
30x100H	30	100	25	195	4	361412	1090
32x105H	32	105	32	205	4	361414	1240
35x105H	35	105	32	205	4	361416	1285
40x105H	40	105	32	205	4	361418	1330
45x105H	45	105	32	205	4	361420	1625
50x125H	50	125	32	240	4	361422	1995

### SWELL4 Welding type Carbide Milling cutter -4 Edge ( Special )



Type	Dimension Size(mm)					Order Number	Price
	External D <sub>0</sub> <sup>-0.03</sup>	Cutting Edge Length H	Handle Length d(h7)	Overall Length L	Edge Number T		
SWELL4-20x100H	20	100	20	180	4	361500	805
25x120H	25	120	25	210	4	361502	1090
30x120H	30	120	25	210	4	361504	1335
32x120H	32	120	32	210	4	361506	1375
35x150H	35	150	32	250	4	361508	1740
40x150H	40	150	32	250	4	361510	1790
40x200H	40	200	32	305	4	361512	2315
45x150H	45	150	32	250	4	361514	2195
45x200H	45	200	32	305	4	361516	2840
50x150H	50	150	32	250	4	361518	2285
50x200H	50	200	32	305	4	361520	2950

### SWER4 Welding type Carbide Roughing cutter

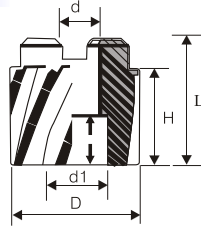


Type	Dimension Size(mm)					Order Number	Price
	External D <sub>0</sub> <sup>-0.03</sup>	Cutting Edge Length H	Handle Length d(h7)	Overall Length L	Edge Number T		
SWER4-30x60H	30	60	32	140	4	361600	915
30x80H	30	80	32	160	4	361602	1160
30x105H	30	105	32	205	4	361604	1505
32x60H	32	60	32	140	4	361606	950
32x80H	32	80	32	160	4	361608	1195
32x105H	32	105	32	205	4	361610	1540
35x60H	35	60	32	140	4	361612	985
35x80H	35	80	32	160	4	361614	1240
35x105H	35	105	32	205	4	361616	1605
40x60H	40	60	32	140	4	361618	1030
40x80H	40	80	32	160	4	361620	1285
40x105H	40	105	32	205	4	361622	1660
50x105H	50	105	42	205	5	361624	2480
50x125H	50	125	42	225	5	361626	2875
50x150H	50	150	42	250	5	361628	3365
50x205H	50	205	42	305	5	361630	4445

# Welding Tools

## SWRT

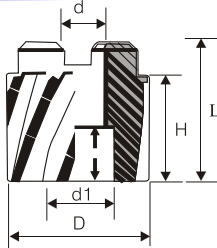
Welding type Carbide Cylindrical Roughing cutter



Type	Dimension Size(mm)					Order Number	Price
	External D <sup>+0.05</sup> / <sub>+0</sub>	Hole d(h7)	Cutting Edge Height H	Overall Length L	Edge Number T		
SWRT- 60x55H	60	1"	55	70	6	362100	1785
60x80H	60	1"	80	95	6	362102	2505
75x70H	75	1" 1/4	70	85	8	362104	2390
75x80H	75	1" 1/4	80	95	8	362106	3365
75x100H	75	1" 1/4	100	115	8	362108	4145

## SWT

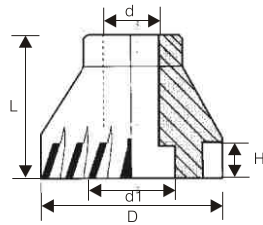
Welding type Carbide Cylindrical End Milling ( Lengthend )



Type	Dimension Size(mm)					Order Number	Price
	External D <sup>+0.05</sup> / <sub>+0</sub>	Hole d(h7)	Cutting Edge Height H	Overall Length L	Edge Number T		
SWT- 60x48H	60	1"	48	65	6	362200	1275
60x70H	60	1"	70	85	6	362202	1775
75x48H	75	1" 1/4	48	65	8	362204	1705
75x70H	75	1" 1/4	70	85	8	362206	2375
75x100H	75	1" 1/4	100	115	8	362208	3315

## SWFT

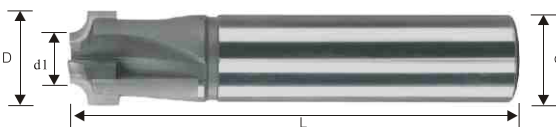
Welding type Carbide Cylindrical Face Milling



Type	Dimension Size(mm)					Order Number	Price	
	External D <sup>+1.0</sup> / <sub>+0</sub>	Hole d(h7)	Cutting Edge Height H	d <sub>1</sub>	Overall Length L			Edge Number T
SWFT- 75x15H	75	1"	15	46	55	8	362300	690
100x15H	100	1" 1/4	15	60	55	10	362302	1045
125x15H	125	1" 1/4	15	70	55	14	362304	1485
150x15H	150	2"	15	80	55	16	362306	1905

## SWCR

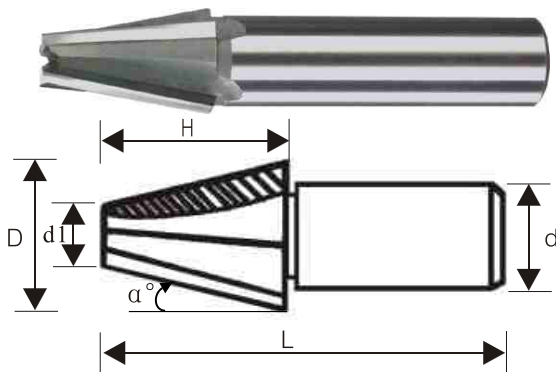
Welding type Carbide Excircle Angle R End Milling



Type	Dimension Size(mm)					Order Number	Price	
	External D <sup>0</sup> / <sub>-0.03</sub>	d1	R Angle	Shank Diameter d(h7)	Overall Length L			Edge Number T
SWCR- 18-3.0R	18	10	3.0R	16	100	4	362400	235
20-3.5R	20	11	3.5R	16	100	4	362402	260
22-4.0R	22	12	4.0R	20	100	4	362404	280
24-4.5R	24	12	4.5R	20	120	4	362406	340
25-5.0R	25	13	5.0R	25	120	4	362408	340
28-6.0R	28	14	6.0R	25	120	4	362410	390
31-7.0R	31	15	7.0R	25	120	4	362412	435
33-8.0R	33	15	8.0R	32	130	4	362414	495
37-9.0R	37	17	9.0R	32	130	4	362416	575
42-10.0R	42	20	10.0R	32	130	4	362418	645
44-11.0R	44	20	11.0R	32	130	4	362420	710
48-12.0R	48	22	12.0R	32	150	4	362422	815
50-13.0R	50	22	13.0R	32	150	4	362424	890
52-14.0R	52	22	14.0R	42	150	4	362426	925
54-15.0R	54	22	15.0R	42	150	4	362428	1010
56-16.0R	56	22	16.0R	42	170	4	362430	1115
60-18.0R	60	22	18.0R	42	170	4	362432	1245
64-20.0R	64	22	20.0R	42	170	4	362434	1385

## SWA

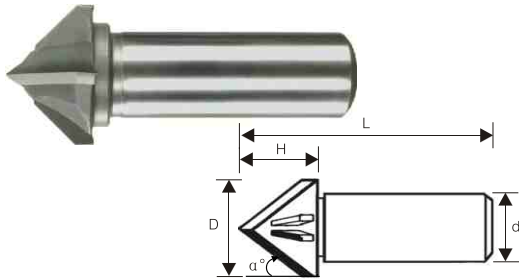
Welding type Carbide Conical Degree End Milling



Type	Dimension Size(mm)					Order Number	Price	
	Min External D <sup>+0.1</sup> / <sub>+0</sub>	Cutting Edge Height H	Angle α°	MAX External D	Shank Diameter d(h7)			Overall Length L
SWA 6-5°	6	30	5°	11.25	10	70	362500	185
6-8°	6	30	8°	14.53	12	70	362502	200
6-10°	6	30	10°	16.58	16	70		
6-12°	6	30	12°	18.75	16	70	362504	240
6-15°	6	30	15°	22.08	16	70		
8-5°	8	35	5°	14.12	12	85	362506	320
8-8°	8	35	8°	17.84	16	85		
8-10°	8	35	10°	20.34	16	85	362508	390
8-12°	8	35	12°	22.88	16	85		
8-15°	8	35	15°	26.76	16	85	362510	565
10-5°	10	40	5°	17	16	90		
10-8°	10	40	8°	21.24	16	90	362512	485
10-10°	10	40	10°	24.11	16	90		
10-12°	10	40	12°	27	16	90	362514	595
10-15°	10	40	15°	31.44	16	90		

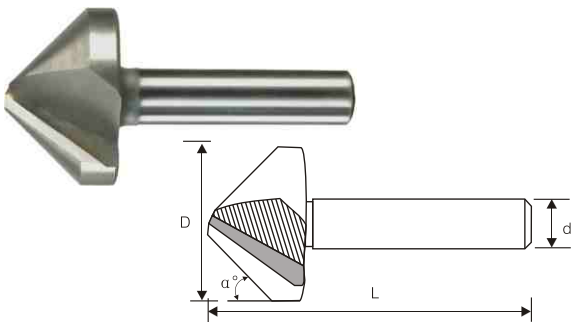


### SWA 45° Welding type Carbide Chamfering Tool



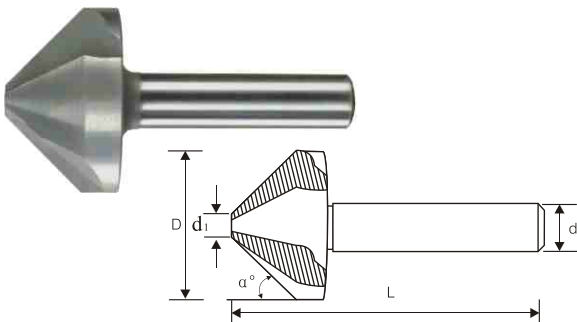
Type	Dimension Size(mm)						Order Number	Price
	External D <sup>+0.5</sup> / <sub>+0</sub>	Cutting Edge Height H	Angle α°	Shank Diameter d(h7)	Overall Length L	Edge Number T		
SWA45°-20	20	10	45°	16	90	2	363100	205
-25	25	12	45°	16	90	2	363102	255
-30	30	15	45°	20	100	2	363104	340
-35	35	17	45°	20	100	2	363106	390
-40	40	20	45°	25	100	2	363108	460
-50	50	25	45°	32	110	4	363110	920
-60	60	30	45°	32	120	6	363112	1340

### SWCS 45° Welding type Carbide Chamfering Tool ( 1 Edge )



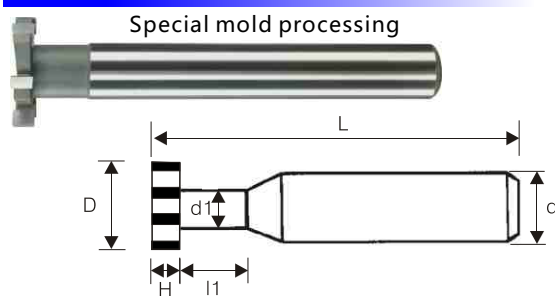
Type	Dimension Size(mm)					Order Number	Price
	External D <sup>+0.5</sup> / <sub>+0</sub>	Shank Diameter d(h7)	Overall Length L	Angle α°	Edge Number T		
SWCS45° 12X1T	12	8	60	45°	1T	363200	
16X1T	16	10	65	45°	1T	363202	
20X1T	20	10	70	45°	1T	363204	
25X1T	25	10	80	45°	1T	363206	
31X1T	31	12	80	45°	1T	363208	
40X1T	40	12	85	45°	1T	363210	
50X1T	50	12	85	45°	1T	363212	

### SWCS 45° Welding type Carbide Chamfering Tool ( 3 Edge )



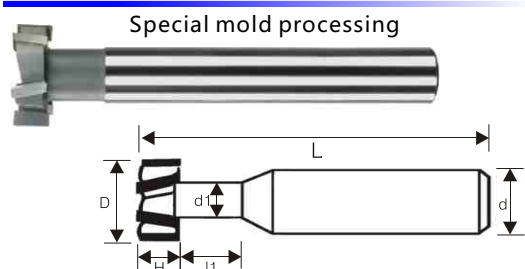
Type	Dimension Size(mm)						Order Number	Price
	External D <sup>+0.5</sup> / <sub>+0</sub>	Min d <sub>1</sub>	Shank Diameter d(h7)	Overall Length L	Angle α°	Edge Number T		
SWCS45° 12.4x3T	12.4	4.5	8	56	45°	3T	363300	
16.5x3T	16.5	5	10	60	45°	3T	363302	
20.5x3T	20.5	6	10	65	45°	3T	363304	
25x3T	25	6.5	10	65	45°	3T	363306	
31x3T	31	7.5	12	70	45°	3T	363308	
35x3T	35	7.5	12	70	45°	3T	363310	
40x3T	40	8	12	75	45°	3T	363312	
50x3T	50	9	12	80	45°	3T	363314	

### SWT Welding type Carbide T Grooving Milling ( Flat Edge )



Type	Dimension Size(mm)							Order Number	Price
	External D	Cutting Edge Height H	d <sub>1</sub>	l <sub>1</sub>	Shank Diameter d(h7)	Overall Length L	Edge Number T		
SWT-16x(3~12)H	16	3/4/5/6/8/10/12	7	15	12	100	4	363400	190
20x(3~12)H	20	3/4/5/6/8/10/12	10	15	12	100	4	363402	190
25x(3~12)H	25	3/4/5/6/8/10/12	13	15	16	120	6	363404	285
30x(3~12)H	30	3/4/5/6/8/10/12	15	15	16	120	6	363406	290
32x(3~12)H	32	3/4/5/6/8/10/12	15	15	16	120	6	363408	290
35x(3~12)H	35	3/4/5/6/8/10/12	15	15	16	120	6	363410	300
40x(3~12)H	40	3/4/5/6/8/10/12	21	15	25	140	6	363412	380
45x(3~12)H	45	3/4/5/6/8/10/12	23	15	25	140	6	363414	380
50x(3~12)H	50	3/4/5/6/8/10/12	24.5	15	25	140	8	363416	530
60x(3~12)H	60	3/4/5/6/8/10/12	30	20	32	140	10	363418	630

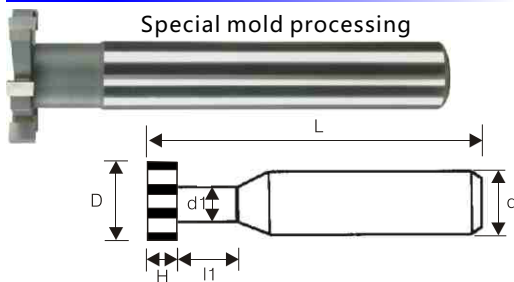
### SWTS Welding type Carbide T Grooving Milling ( Side Set Edge )



Type	Dimension Size(mm)							Order Number	Price
	External D	Cutting Edge Height H	d <sub>1</sub>	l <sub>1</sub>	Shank Diameter d(h7)	Overall Length L	Edge Number T		
SWTS-16x(6~12)H	16	6/8/10/12	7	15	12	100	4	363500	235
20x(6~12)H	20	6/8/10/12	10	15	12	100	4	363502	235
25x(6~12)H	25	6/8/10/12	13	15	16	120	6	363504	355
30x(6~12)H	30	6/8/10/12	15	15	16	120	6	363506	360
32x(6~12)H	32	6/8/10/12	15	15	16	120	6	363508	360
35x(6~12)H	35	6/8/10/12	15	15	16	120	6	363510	380
40x(6~12)H	40	6/8/10/12	21	15	25	140	6	363512	470
45x(6~12)H	45	6/8/10/12	23	15	25	140	6	363514	470
50x(6~12)H	50	8/10/12	24.5	15	25	140	8	363516	660
60x(6~12)H	60	8/10/12	30	20	32	140	10	363518	790

# Welding Tools

## SWTI Welding type Carbide T Grooving Milling ( Flat Edge )

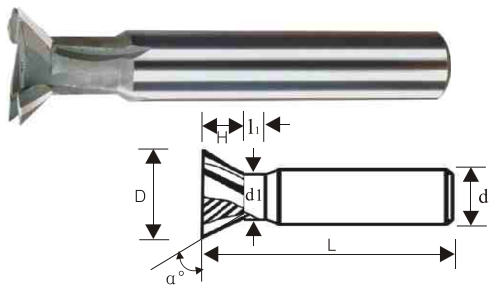


Type	Dimension Size(mm)							Order Number	Price Price
	External D	Cutting Edge Height H	d <sub>1</sub>	I <sub>1</sub>	Shank Diameter d(h7)	Overall Length L	Edge Number T		
SWTI- 3/4"x1/8"H	3/4"	1/8"	10	12	1/2"	2"1/4	4	364100	160
3/4"x5/32"H	3/4"	5/32"	10	12	1/2"	2"1/4	4	364102	160
1"x1/8"H	1"	1/8"	13	12	1/2"	2"3/4	5	364104	230
1"x3/16"H	1"	3/16"	13	12	1/2"	2"3/4	6	364106	230
1"x1/4"H	1"	1/4"	13	12	1/2"	2"3/4	6	364108	260
1"1/4x3/16"H	1"1/4	3/16"	15	12	1/2"	2"3/4	6	364110	230
1"1/4x1/4"H	1"1/4	1/4"	15	12	1/2"	2"3/4	6	364112	260
1"1/4x5/16"H	1"1/4	5/16"	15	12	1/2"	2"3/4	6	364114	275

### T Grooving Milling Tolerance

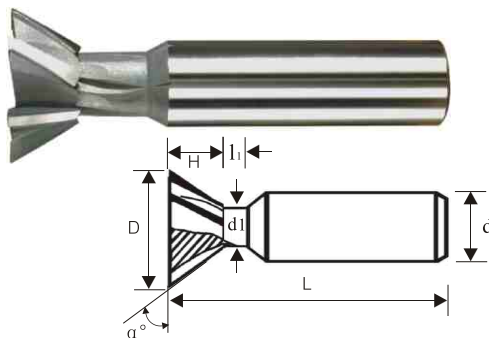
External Tolerance	Cutting Edge Height Tolerance	External Tolerance	Cutting Edge Height Tolerance	External Tolerance	Cutting Edge Height Tolerance
~ φ10 -0.04 -0.13	~ 3 -0.02 -0.08	~ 30 -0.06 -0.19	~ 10 -0.04 -0.13	~ 80 -0.10 -0.29	~ 30 -0.06 -0.19
~ 18 -0.05 -0.16	~ 6 -0.03 -0.10	~ 50 -0.08 -0.24	~ 18 -0.05 -0.16		

## SWD 45° Welding type Carbide Dovetail Cutter-45°



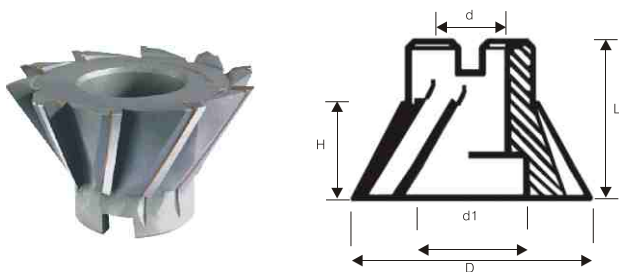
Type	Dimension Size(mm)								Order Number	Price Price
	External D	Cutting Edge Height H	d <sub>1</sub>	I <sub>1</sub>	Angle α°	Shank Diameter d(h7)	Overall Length L	Edge Number T		
SWD45°-20	20	6	9	15	45°	12	95	4	364200	230
-25	25	7	10	15	45°	12	95	4	364202	280
-30	30	8	11	15	45°	16	100	4	364204	350
-35	35	10	13	15	45°	16	100	4	364206	425
-40	40	12	13	15	45°	20	100	6	364208	630
-45	45	13	17	15	45°	20	100	6	364210	775
-50	50	15	17	15	45°	25	105	6	364212	910
-60	60	18	21	15	45°	25	110	6	364214	1115
-65	65	20	21	20	45°	25	110	6	364216	1225

## SWD 60° Welding type Carbide Dovetail Cutter-60°



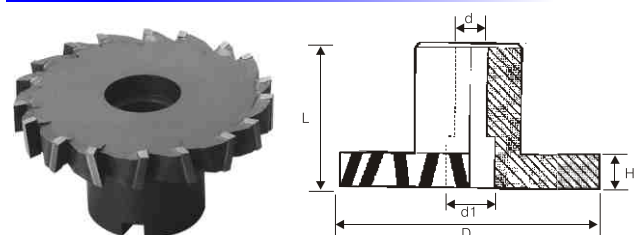
Type	Dimension Size(mm)								Order Number	Price Price
	External D	Cutting Edge Height H	d <sub>1</sub>	I <sub>1</sub>	Angle α°	Shank Diameter d(h7)	Overall Length L	Edge Number T		
SWD60°-20	20	8	9	15	60°	12	90	4	364300	240
25	25	11	10	15	60°	12	95	4	364302	300
30	30	14	11	15	60°	20	100	4	364304	400
35	35	15	15	15	60°	20	100	6	364306	590
40	40	17	17	20	60°	20	105	6	364308	665
45	45	20	19	20	60°	20	105	6	364310	865
50	50	22	22	20	60°	25	110	6	364312	1005
55	55	26	22	20	60°	25	110	6	364314	1140
60	60	28	25	20	60°	32	120	6	364316	1270
65	65	32	25	20	60°	32	120	6	364318	1380

## SWDT 60° Welding type Carbide Dovetail Cutter-60°



Type	Dimension Size(mm)						Order Number	Price Price
	External D	Cutting Edge Height H	d(h7)	d <sub>1</sub>	L	Edge Number T		
SWDT60°-80	80	30	1"	42	50	8	364400	1410
SWDT60°-100	100	40	1"	50	60	10	364402	2180
SWDT60°-100	100	40	1"1/4	50	60	10	364404	2180
SWDT60°-125	125	50	1"1/4	60	70	10	364406	3030
SWDT60°-150	150	55	1"1/2	80	75	12	364408	4030

## SWST Welding type Carbide Cylindrical Side Milling

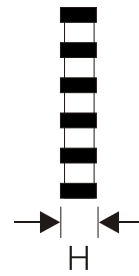
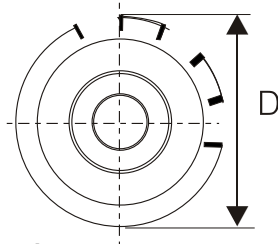


Type	Dimension Size(mm)						Order Number	Price Price
	External D	Cutting Edge Height H	d(h7)	d <sub>1</sub>	L	Edge Number T		
SWST-100x16H	100	16	1"1/4	55	60	14	364500	1295
SWST-125x18H	125	18	1"1/4	60	60	16	364502	1770
SWST-150x20H	150	20	1"1/4	70	60	18	364504	2330

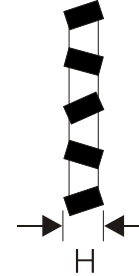
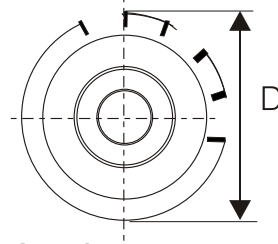
### SWS Welding type Carbide Side Milling



**Flat Edge(Hole=25.4mm)**



**Side Set Edge(Hole=25.4mm)**



Type	Dimension Size(mm)			Order Number	Price
	External $D_{+0.05}^{+0}$	$H_{+0}^{+0.02}$	Edge Number T		
SWS-75x3H	75	3	14	365100	380
SWS-75x4H	75	4	14	365102	380
SWS-75x5H	75	5	14	365104	380
SWS-75x6H	75	6	14	365106	380
SWS-75x7H	75	7	14	365108	470
SWS-100x3H	100	3	16	365110	450
SWS-100x4H	100	4	16	365112	450
SWS-100x5H	100	5	16	365114	450
SWS-100x6H	100	6	16	365116	450
SWS-100x7H	100	7	16	365118	560
SWS-100x3H	125	3	18	365120	450
SWS-125x4H	125	4	18	365122	530
SWS-125x5H	125	5	18	365124	530
SWS-125x6H	125	6	18	365126	530
SWS-125x7H	125	7	18	365128	660
SWS-125x3H	150	3	20	365130	625
SWS-150x4H	150	4	20	365132	625
SWS-150x5H	150	5	20	365134	625
SWS-150x6H	150	6	20	365136	625
SWS-150x7H	150	7	20	365138	775
SWS-175x5H	175	5	20	365140	695
SWS-175x6H	175	6	20	365142	695
SWS-175x7H	175	7	20	365144	855
SWS-200x5H	200	5	24	365146	2100
SWS-200x6H	200	6	24	365148	2100
SWS-200x7H	200	7	24	365150	2600

Type	Dimension Size(mm)			Order Number	Price
	External $D_{+0.05}^{+0}$	$H_{+0}^{+0.02}$	Edge Number T		
SWSS-75x8H	75	8	14	365200	585
SWSS-75x9H	75	9	14	365202	700
SWSS-75x10H	75	10	14	365204	700
SWSS-75x11H	75	11	14	365206	810
SWSS-75x12H	75	12	14	365208	810
SWSS-100x8H	100	8	16	365210	700
SWSS-100x9H	100	9	16	365212	830
SWSS-100x10H	100	10	16	365214	830
SWSS-100x11H	100	11	16	365216	915
SWSS-100x12H	100	12	16	365218	915
SWSS-125x8H	125	8	18	365220	825
SWSS-125x9H	125	9	18	365222	985
SWSS-125x10H	125	10	18	365224	985
SWSS-125x11H	125	11	18	365226	1140
SWSS-125x12H	125	12	18	365228	1140
SWSS-150x8H	150	8	20	365230	970
SWSS-150x9H	150	9	20	365232	1155
SWSS-150x10H	150	10	20	365234	1155
SWSS-150x11H	150	11	20	365236	1340
SWSS-150x12H	150	12	20	365238	1340
SWSS-175x8H	175	8	20	365240	1070
SWSS-175x9H	175	9	20	365242	1275
SWSS-175x10H	175	10	20	365244	1275
SWSS-175x11H	175	11	20	365246	1480
SWSS-175x12H	175	12	20	365248	1480
SWSS-200x8H	200	8	24	365250	1300
SWSS-200x9H	200	9	24	365252	1550
SWSS-200x10H	200	10	24	365254	1550
SWSS-200x11H	200	11	24	365256	1800
SWSS-200x12H	200	12	24	365258	1800

# Welding Tools

## SWC Welding type Carbide Countersunk head milling cutter



Type	Dimension Size(mm)								Order Number	Price
	D(H7)	H	D <sub>1</sub> (h7)	L <sub>1</sub>	D <sub>2</sub>	L	Edge Number T	MT		
SWC-21x15H-MT	21	15	15.9	15	18	110	4	3	366100	445
SWC-26x15H-MT	26	15	19.9	15	23	110	4	3	366102	535
SWC-31x15H-MT	31	15	24.9	15	27	110	4	3	366104	590
SWC-36x15H-MT	36	15	29.9	15	30	110	4	4	366106	805
SWC-41x15H-MT	41	15	34.9	15	36	110	6	4	366108	955
SWC-46x15H-MT	46	15	39.9	15	39	110	6	4	366110	1045
SWC-51x15H-MT	51	15	44.9	15	46	110	6	4	366112	1160
SWC-56x15H-MT	56	15	49.9	15	48	110	6	4	366114	1260
SWC-61x15H-MT	61	15	54.9	15	50	110	8	4	366116	1380
SWC-66x15H-MT	66	15	59.9	15	56	110	8	4	366118	1510

## SWB Welding type Carbide Right oblique milling cutter-Reaming tool



Type	Dimension Size(mm)					Order Number	Price
	D(H7)	H	L	MT	Edge Number T		
SWB-15.7x11HXMT	15.7	11	150	3#	2	366200	330
SWB-19.7x11HXMT	19.7	11	200	3#	2	366202	430
SWB-24.7x11HXMT	24.7	11	200	3#	4	366204	545
SWB-29.7x11HXMT	29.7	11	230	4#	4	366206	715

## MZG Carbide Round Bar (Round Tool)



diameter	Overall Length	Price(RMB)			diameter	Overall Length	Price(RMB)		
		HRC50	HRC55	HRC65			HRC50	HRC55	HRC65
1-2	100	25	37.5		10	100	300	390	750
2	150	75			10	150	490		
2.5-3	100	35	45	125	10	200	690		
3	200	100			11	100	375	475	
4	100	55	75	225	12	100	430	560	1200
4	150	90			12	150	750		
4	200	125			12	200	990		
5	100	80	105		14	100	600		
5	200	190			16	100	775		
6	100	115	160	400	18	100	1000		
6	150	200			20	100	1200		
6	200	275							
7	100	150	200						
8	100	200	250	550					
8	150	340							
8	200	450							
9	100	250	325						